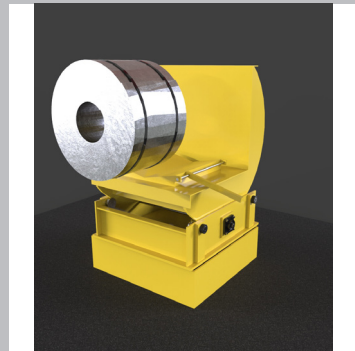
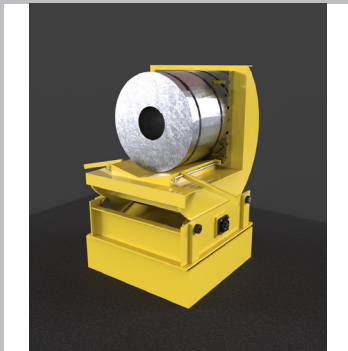
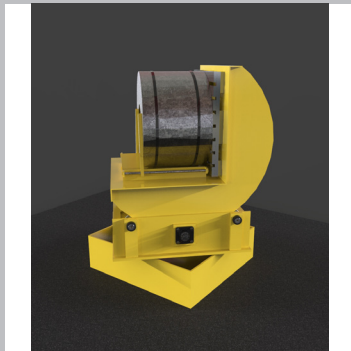
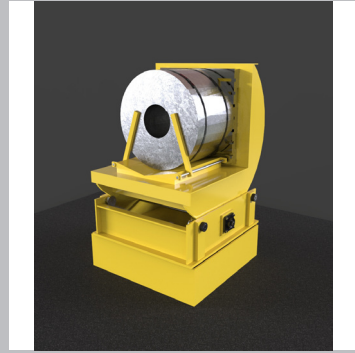
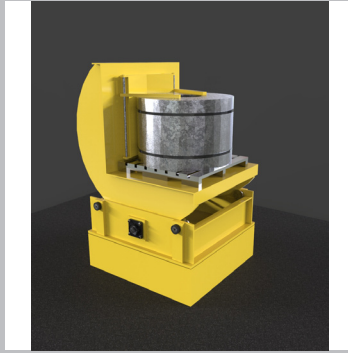
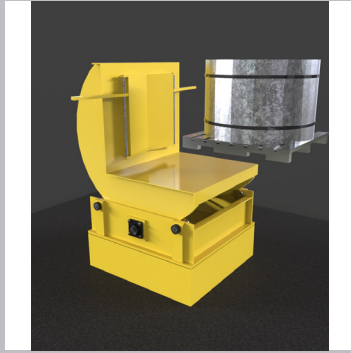


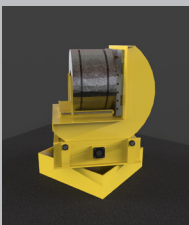
# MECHANICAL COIL UPENDERS



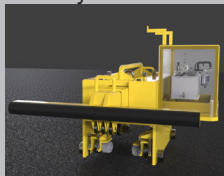
## FEATURES

- Fast and safe way to manipulate coils.
- Allows Upenders to rotate 180 degrees while handling extreme tonnage.
- Prevents expensive damage to coil caused by tipping coil with forklift.
- Saves time.
- Designed to save space.
- 220/480 VAC 3-PH
- Coil loading via overhead crane.
- V Coil cradle.

Rotation



Powered Hydraulics



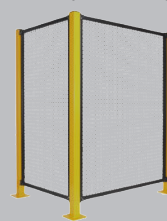
Safety Scanners



C-Lift



Safety Fencing



Transfer Cars



## SPECIFICATIONS

Model Number	Capacity	Coil Dimensions	Price
SR-6072	12,000 lbs.	48" D x 32" W x 12" ID	\$49,000

Larger capacities available.



2345 E. Garfield Ave.  
Decatur, IL 62526  
Ph: (217) 423-4100  
Fax: (217) 423-4001  
Web: [www.aura-systems.com](http://www.aura-systems.com)

